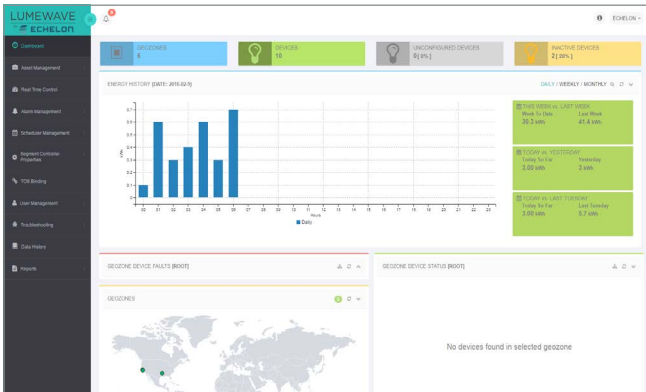


LUMEWAVE

By **ECHELON**

LumInsight™ Cloud CMS



Product Description

Part of a Lumewave by Echelon intelligent power line (PL) lighting control system, LumInsight Cloud provides a cloud-based central management system (CMS) for provisioning, monitoring, and controlling outdoor lighting systems. The LumInsight Cloud CMS enables cities, utilities, and operators to reduce energy usage and maintenance costs of outdoor lighting systems, and also increases safety for street and other outdoor area users. LumInsight integrates automated asset monitoring of controlled lighting, capturing critical system data—such as power consumption, power factor, and lamp run time—for improved maintenance and operational savings.

Operation

With LumInsight there's no infrastructure to buy, set up, manage, or maintain. Users can access it entirely over the Internet via a web browser on a smartphone, tablet, laptop, or desktop computer to manage, monitor, and control lighting networks. Users will appreciate the intuitive graphical interface that simplifies navigation. For instance, the CMS visualizes lighting system statuses for any area and enables users to zoom into geozones for more detail. The complementary LumInsight Provisioning Tool allows users to configure new lighting control networks with all necessary devices and create control groups for zone-based scheduling and control.

Specifications/Submittal Block

Project:

Date:

Detail:

Features/Benefits

- Provides central management for outdoor lighting systems
 - Organize segment controllers by location (“geozones”) and lighting controllers by groups
 - Configure lighting schedules and scenes
 - Monitor lighting controllers to visualize and track performance of assets in real time, validate and audit energy code compliance, and identify performance changes over time
 - Enable real-time schedule overrides
 - Notify maintenance personnel of fixture failures for improved lighting system up-time
- Supports access from a smartphone, tablet, laptop, or desktop computer
- Scales to thousands of sites to provide a single front-end to all sites
- Supports multiple users with assigned roles per user to provide controlled access to system capabilities
- Provides peer-to-peer communication between network devices (e.g., sensors and controllers) for adaptive light level adjustment to environmental changes
- Supports encrypted communication from the CMS to browser
- Optimizes data communications for reliable and cost-effective data transmission

Applications

- Street and municipal lighting
- Outdoor and area lighting
- Industrial lighting
- Tunnel lighting

Product Specifications

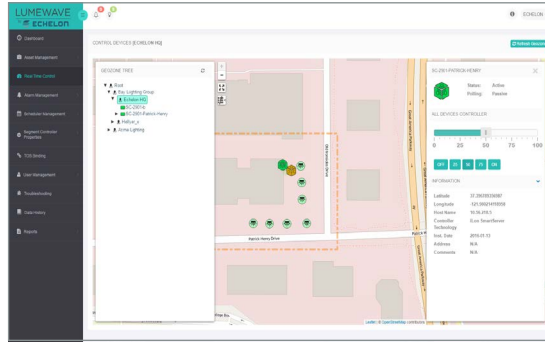
LumInsight Cloud CMS

- Client browser
 - Any HTML 5/Javascript compatible browser including smartphone, tablet, and desktop versions of Google Chrome, Apple Safari, Mozilla Firefox, Microsoft Internet Explorer, and Microsoft Edge
- Compatible segment controllers
 - Echelon Model 72103R-440 SmartServer PL Pro
 - Echelon Model 72103R-460 SmartServer PL Pro with External Coupling
- Compatible lighting controllers
 - Echelon Model 76600R and 76610R CPD 3000 PL Light Controllers
 - Direct segment control via the relay output of the SmartServer segment controller
- Compatible PL-RF bridges
 - Echelon Model 76520R CRD 3000 Street Light Bridge

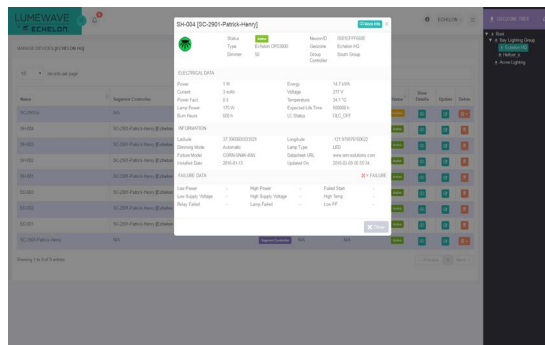
LumInsight Provisioning Tool

- Operating system
 - Microsoft Windows 10, Windows 8.1, Windows 8, or Windows 7
 - 2 GB RAM minimum

LumInsight User Interface

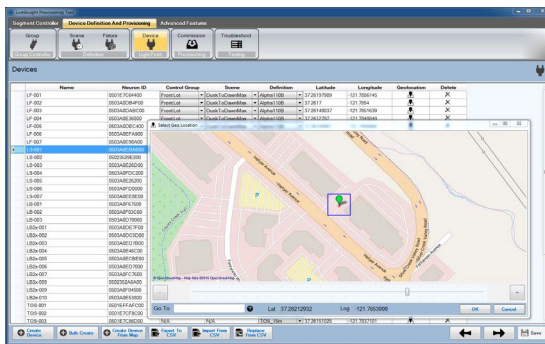


Simple interactive map for easy navigation of assets and intuitive monitoring and control of lighting controllers.



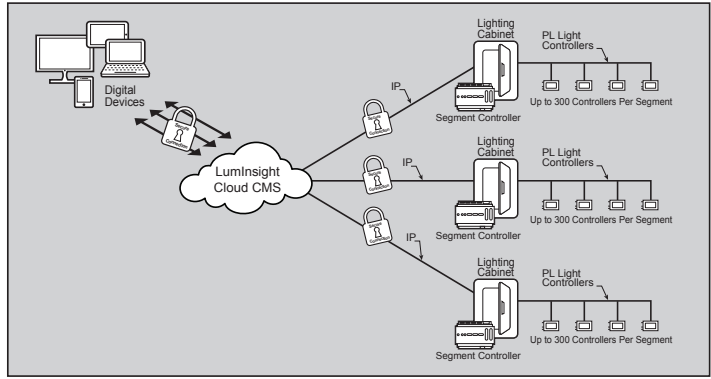
Detailed lighting controller status and performance view.

LumInsight Provisioning Tool



Users can configure the entire system offline prior to startup, saving installation time.

Lumewave Power Line Lighting System



Ordering Information:

Ordering #	Product Name	Product Description
38600-10	LumInsight Cloud CMS 1 Base Annual Subscription	A one-year subscription for LumInsight Cloud CMS for use with up to 500 lighting controllers. A model 38700-10 is required for each segment controller, and a model 38610-10 is required for each additional lighting controller after the first 500.
38610-10	LumInsight Cloud CMS 1 Lighting Controller Annual Subscription	A one-year subscription for LumInsight Cloud CMS for use with one lighting controller.
38700-10	LumInsight Cloud CMS 1 Segment Controller Annual Subscription	A one-year subscription for LumInsight Cloud CMS for use with one segment controller.